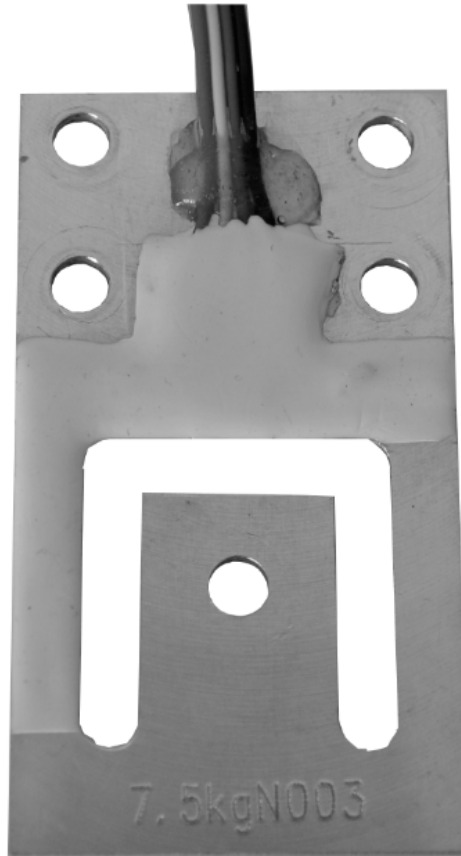



Type L6P1 Miniature Sensor



Short description



- Low profile
- Anodized aluminum alloy
- IP65 sealed

 test certificate no. TC8408 Revision 0
C of C no. R60/2000-NL1-13.23 Revision 1

Available models

Capacity	Accuracy	Full article description
7.5 kg	C3	L6P1-C3-7.5kg-1P

Specifications and dimensions are subject to change without notice and do not constitute any liability whatsoever.

Type L6P1 Miniature Sensor

Detailed specifications L6P1

Accuracy class		OIML R60 C3
Output sensitivity (= FS)	mV/V	1.0 ± 0.1
Maximum capacity (E _{max})	kg	7.5
Max.number of load cell intervals	n _{LC}	3000
Ratio of min. LC verification interval	$Y = E_{max} / v_{min}$	7500
Combined Error	%FS	≤± 0.023
Minimum dead load	Of E _{max}	0%
Safe overload	of E _{max}	150 %
Ultimate overload	of E _{max}	300 %
Zero balance	of FS	< ± 5.0 %
Excitation, recommended voltage	V	5 ~ 15
Excitation maximum	V	18
Input resistance	Ω	1080 ± 50
Output resistance	Ω	1000 ± 10
Insulation resistance	MΩ	≥5000 (at 50VDC)
Compensated temperature	°C	-10 ~+40
Operating temperature	°C	-20 ~ +50
Storage temperature	°C	-35 ~ +80
Element material		Aluminium
Ingress Protection (acc. to EN 60529)		IP65
Recommended torque on fixation	Nm	M4: 3
ATEX classification (optional)		None

Wiring

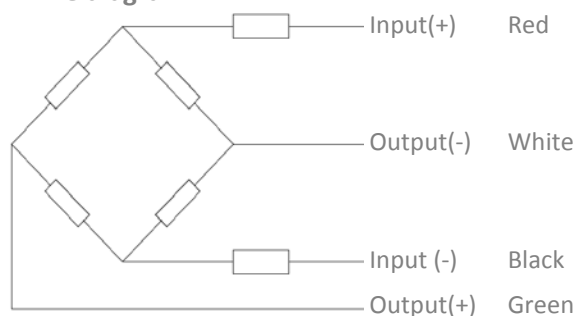
Wiring:

4 conductor flat ribbon cable.

Cable diameter: Ø1.2mm.

Standard cable length: 1.0m.

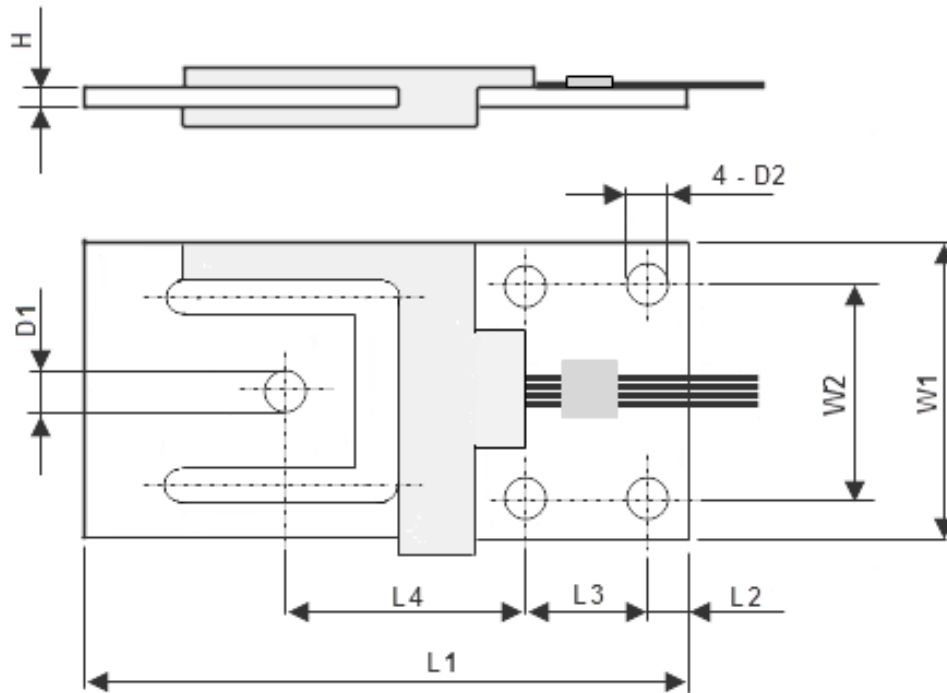
4-wire diagram



Specifications and dimensions are subject to change without notice and do not constitute any liability whatsoever.

Type L6P1 Miniature Sensor

Dimensions in mm



Dimension Capacity	L1	L2	L3	L4	W1	W2	H	D1	D2
7.5kg	70	4.9	14	28	39	27.8	2	5.1	5.1

Specifications and dimensions are subject to change without notice and do not constitute any liability whatsoever.